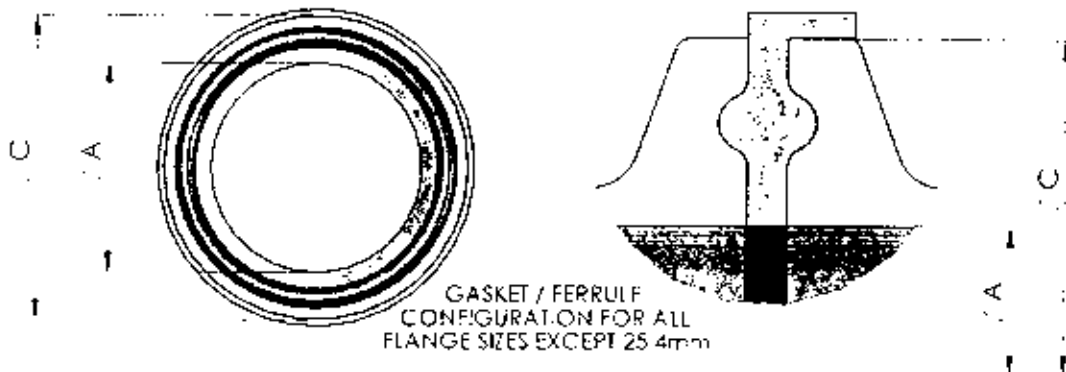


# QUILINOX

Maximiliano Erous, 22 B,  
Tel. 902 304 316 - Telefax 902 364 902  
46009 - V A I F N C I A

Standard Gasket Lipped - Type 2

## PHARMACEUTICAL GASKETS DIN 32676



### GASKETS - DIN 32676 - STANDARD

| Nominal<br>Size<br>Metric | Dimensions (mm) |              | Size<br>Ordering<br>Code |
|---------------------------|-----------------|--------------|--------------------------|
|                           | ID<br>ØA        | Flange<br>ØC |                          |
| DIN 10                    | 10.0            | 34.0         | GK.DN.010                |
| DIN 15                    | 16.0            | 34.0         | GK.DN.015                |
| DIN 20                    | 20.0            | 34.0         | GK.DN.020                |
| DIN 25                    | 26.0            | 50.5         | GK.DN.025                |
| DIN 32                    | 32.0            | 50.5         | GK.DN.032                |
| DIN 40                    | 38.0            | 50.5         | GK.DN.040                |
| DIN 50                    | 50.0            | 64.0         | GK.DN.050                |
| DIN 65                    | 66.0            | 91.0         | GK.DN.065                |
| DIN 80                    | 81.0            | 106.0        | GK.DN.080                |
| DIN 100                   | 100.0           | 119.0        | GK.DN.100                |
| DIN 125                   | 125.0           | 155.0        | GK.DN.125                |
| DIN 150                   | 150.0           | 183.0        | GK.DN.150                |
| DIN 200                   | 200.0           | 233.5        | GK.DN.200                |

### GASKETS - DIN 32676 - NON STANDARD

| Nominal<br>Size<br>Metric | Dimensions (mm) |              | Size<br>Ordering<br>Code |
|---------------------------|-----------------|--------------|--------------------------|
|                           | ID<br>ØA        | Flange<br>ØC |                          |
| DIN 125                   | 125.0           | 144.4        | GK.DNX.125               |
| DIN 150                   | 150.0           | 167.0        | GK.BS.0600               |
| DIN 200                   | 200.0           | 217.4        | GK.BS.0800               |
| DIN 250                   | 250.0           | 268.0        | GK.BS.1000               |
| DIN 300                   | 300.0           | 319.0        | GK.BS.1200               |

### GASKETS - DIN 32676

| Material<br>Type | Ordering<br>Code |
|------------------|------------------|
| EPDM Blue        | .EU              |
| EPDM Black       | .EK              |
| Silicone White   | .SW              |
| VITON® Green     | .VG              |
| PTFE Solid       | .PS              |
| PTFE Envelope    | .PE              |

### Ordering Code Example

DN10 EPDM Black = GK.DN.010.EK

Available compound colours may vary  
please enquire prior to ordering.

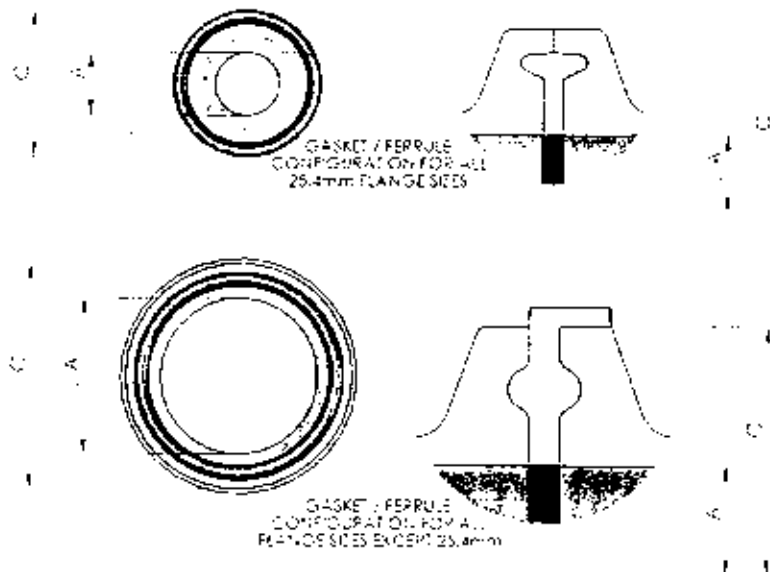
# QUILINOX

Maximiliano Thous, 22 B.  
Tel. 902 304 316 - Telefax 902 364 960  
46059 - VALENCIA

## PHARMACEUTICAL GASKETS ISO 1127

Standard Gasket

Lipped - Type 2



### GASKETS - ISO 1127 SERIES 1

| Nominal Size<br>ISO (DN) | Dimensions (mm) |           | Size Ordering Code |
|--------------------------|-----------------|-----------|--------------------|
|                          | ID ØA           | Flange ØC |                    |
| 8                        | 10.3            | 22.0*     | GK.IS1.D008        |
| 10                       | 14.0            | 22.0*     | GK.IS1.D010        |
| 15                       | 18.1            | 50.5      | GK.IS1.D015        |
| 20                       | 22.9            | 50.5      | GK.IS1.D020        |
| 25                       | 29.7            | 50.5      | GK.IS1.D025        |
| 32                       | 38.4            | 64.0      | GK.IS1.D032        |
| 40                       | 44.3            | 64.0      | GK.IS1.D040        |
| 50                       | 56.3            | 77.5      | GK.IS1.D050        |
| 65                       | 72.1            | 91.0      | GK.IS1.D065        |
| 80                       | 84.9            | 106.0     | GK.IS1.D080        |
| 100                      | 110.3           | 130.0     | GK.IS1.D100        |
| 125                      | 135.7           | 155.0     | GK.IS1.D125        |
| 150                      | 163.1           | 183.0     | GK.IS1.D150        |
| 200                      | 213.9           | 233.5     | GK.IS1.D200        |
| 250                      | 267.8           | 286.1     | GK.IS1.D250        |
| 300                      | 318.7           | 338.5     | GK.IS1.D300        |

### GASKETS - ISO 1127 VARIATIONS

| Nominal Size<br>ISO (DN) | Dimensions (mm) |           | Size Ordering Code |
|--------------------------|-----------------|-----------|--------------------|
|                          | ID ØA           | Flange ØC |                    |
| 8                        | 10.3            | 34.0      | GK.IS1X.D008.A     |
| 8                        | 10.3            | 50.5      | GK.IS1X.D008.B     |
| 10                       | 14.0            | 34.0      | GK.IS1X.D010.A     |
| 10                       | 14.0            | 50.5      | GK.IS1X.D010.B     |
| 15                       | 18.1            | 34.0      | GK.IS1X.D015.A     |
| 20                       | 23.7            | 50.5      | GK.IS1X.D020.B     |
| 25                       | 30.5            | 50.5      | GK.IS1X.D025.A     |
| 25                       | 31.3            | 50.5      | GK.IS1X.D025.B     |
| 65                       | 72.9            | 91.0      | GK.IS1X.D065.A     |

### GASKETS - ISO 1127

| Material Type        | Ordering Code |
|----------------------|---------------|
| EPDM Black           | .EK           |
| Silicone Translucent | .ST           |
| VITON® Black         | .VB           |
| PTFE Solid           | .PS           |
| PTFE Envelope        | .PE           |

### Ordering Code Example

ISO DN32 PTFE Solid = GK.IS1.D032.PS

Available compound colours may vary  
please enquire prior to ordering.

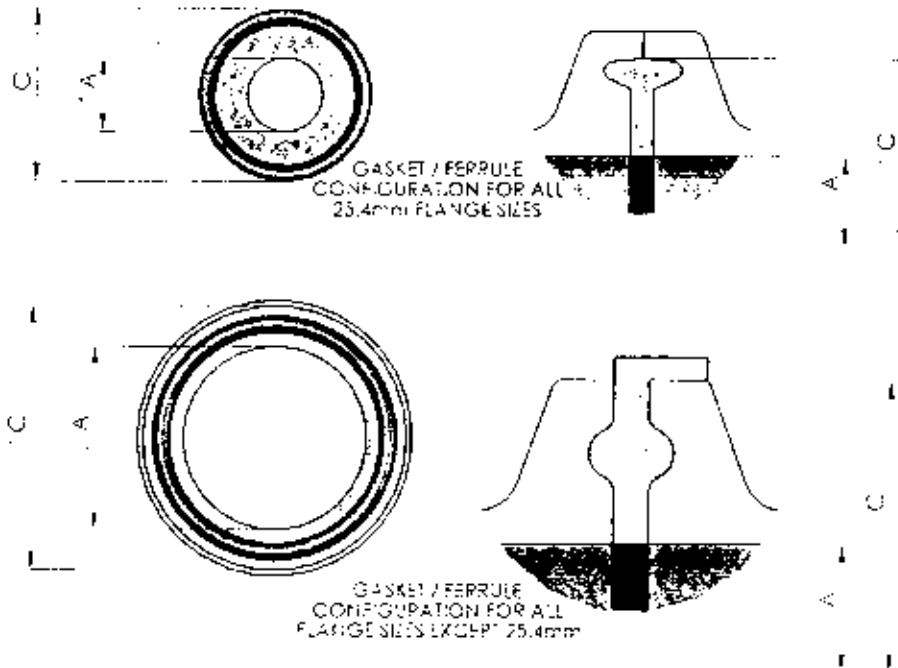
\* Ferrule flange size = 25.4mm

# QUILINOX

Maximising Throughput  
tel. 902 304 316 - telefax 902 361 916  
40600 V.A. 11111A

Standard Gasket Lipped - Type 2

## PHARMACEUTICAL GASKETS BS4825 Pt.3



### GASKETS - BS4825 Pt.3

| Nominal Size<br>Inch | Dimensions (mm) |           | Size Ordering Code |
|----------------------|-----------------|-----------|--------------------|
|                      | ID ØA           | Flange ØC |                    |
| 1/2"                 | 9.52            | 22.0*     | GK.BS.0050         |
| 3/4"                 | 15.87           | 22.0*     | GK.BS.0075         |
| 1"                   | 22.20           | 50.5      | GK.BS.0100         |
| 1 1/2"               | 34.90           | 50.5      | GK.BS.0150         |
| 2"                   | 47.60           | 64.0      | GK.BS.0200         |
| 2 1/2"               | 60.30           | 77.5      | GK.BS.0250         |
| 3"                   | 73.00           | 91.0      | GK.BS.0300         |
| 3 1/2"               | 84.70           | 106.0     | GK.BS.0350         |
| 4"                   | 97.60           | 119.0     | GK.BS.0400         |
| 4 1/2"               | 110.30          | 130.0     | GK.BS.0450         |
| 5"                   | 123.00          | 144.4     | GK.BS.0500         |
| 5 1/2"               | 135.76          | 155.0     | GK.BS.0550         |
| 6"                   | 150.00          | 167.0     | GK.BS.0600         |
| 6 5/8"               | 163.10          | 183.0     | GK.BS.0658         |
| 8"                   | 200.00          | 217.4     | GK.BS.0800         |
| 8 5/8"               | 213.90          | 233.5     | GK.BS.0858         |
| 10"                  | 250.00          | 268.0     | GK.BS.1000         |
| 10 5/8"              | 266.30          | 286.1     | GK.BS.1058         |
| 12"                  | 300.80          | 319.0     | GK.BS.1200         |
| 12 5/8"              | 315.90          | 338.0     | GK.BS.1258         |

### GASKETS - BS4825 Pt.3

| Material Type         | Ordering Code |
|-----------------------|---------------|
| EPDM Blue             | .EU           |
| EPDM Black            | .EK           |
| Silicone White        | .SW           |
| Silicone Translucent  | .ST           |
| VITON® Green          | .VG           |
| VITON® Black          | .VB           |
| EPDM USP Class VI     | .E6           |
| Silicone USP Class VI | .S6           |
| PTFE Solid            | .PS           |
| PTFE Envelope         | .PE           |

### Ordering Code Example

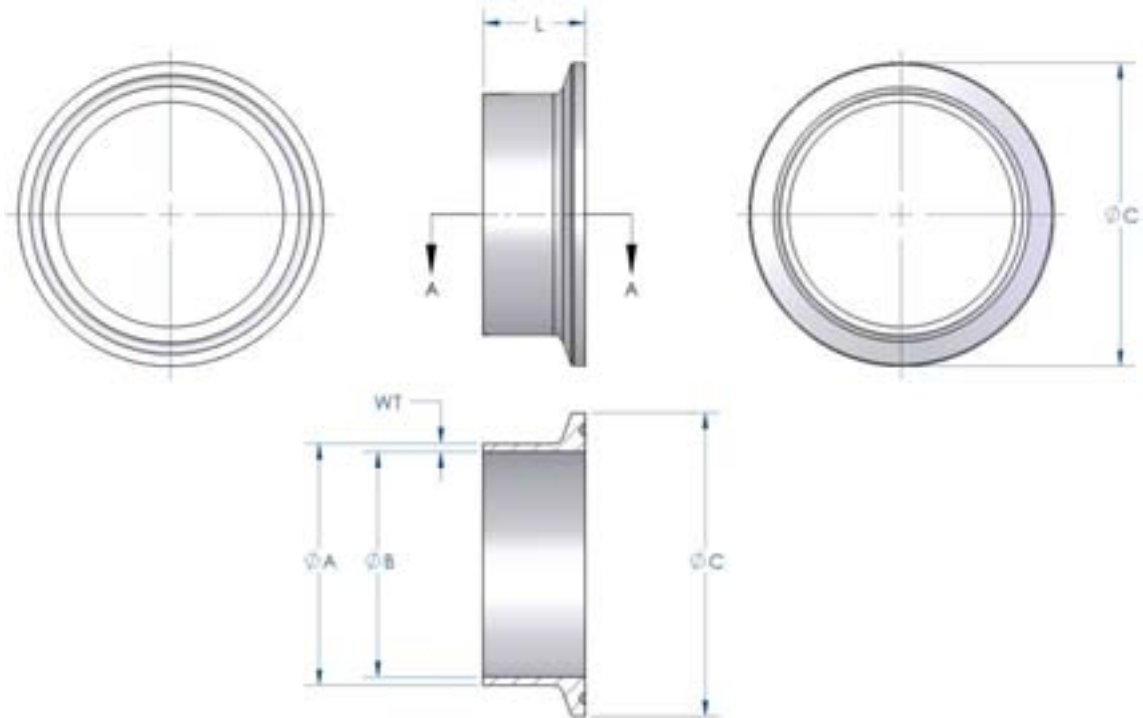
4" BS EPDM Blue = GK.BS.0400.EU

Available compound colours may vary please enquire prior to ordering.

\* Ferrule flange size = 25.4mm

|                       |                           |
|-----------------------|---------------------------|
| <b>Material</b>       | 316L / 1.4404             |
| <b>Surface Finish</b> | 0.8 Ra(µm) / 32 Ra(µin)   |
| <b>Manufactured</b>   | 3.1b Certified- Solid Bar |

# PHARMACEUTICAL FERRULES BS 4825-3



## FERRULES - BS 4825 Pt.3

| Size<br>Inch | Dimensions (mm) |          |              |            |             | Mass<br>(kg) | Ordering<br>Code |
|--------------|-----------------|----------|--------------|------------|-------------|--------------|------------------|
|              | OD<br>ØA        | ID<br>ØB | Flange<br>ØC | Wall<br>WT | Length<br>L |              |                  |
| 1/2"         | 12.70           | 9.52     | 25.4         | 1.59       | 21.5        | 0.02         | FR.BS.0050       |
| 3/4"         | 19.05           | 15.87    | 25.4         | 1.59       | 21.5        | 0.02         | FR.BS.0075       |
| 1"           | 25.65           | 22.20    | 50.5         | 1.73       | 21.5        | 0.08         | FR.BS.0100       |
| 1 1/2"       | 38.35           | 34.90    | 50.5         | 1.73       | 21.5        | 0.06         | FR.BS.0150       |
| 2"           | 51.05           | 47.60    | 64.0         | 1.73       | 21.5        | 0.08         | FR.BS.0200       |
| 2 1/2"       | 63.75           | 60.30    | 77.5         | 1.73       | 21.5        | 0.10         | FR.BS.0250       |
| 3"           | 76.45           | 73.00    | 91.0         | 1.73       | 21.5        | 0.13         | FR.BS.0300       |
| 3 1/2"       | 88.90           | 84.70    | 106.0        | 2.10       | 21.5        | 0.21         | FR.BS.0350       |
| 4"           | 101.85          | 97.60    | 119.0        | 2.13       | 21.5        | 0.21         | FR.BS.0400       |
| 4 1/2"       | 114.95          | 110.30   | 130.0        | 2.33       | 28.0        | 0.25         | FR.BS.0450       |
| 5"           | 127.00          | 123.00   | 144.4        | 2.00       | 28.0        | 0.41         | FR.BS.0500       |
| 5 1/2"       | 140.55          | 135.76   | 155.0        | 2.40       | 28.0        | 0.43         | FR.BS.0550       |
| 6"           | 154.00          | 150.00   | 167.0        | 2.00       | 28.0        | 0.38         | FR.BS.0600       |
| 6 5/8"       | 169.35          | 163.10   | 183.0        | 3.13       | 28.0        | 0.56         | FR.BS.0658       |
| 8"           | 204.00          | 200.00   | 217.4        | 2.00       | 28.0        | 0.52         | FR.BS.0800       |
| 8 5/8"       | 220.55          | 213.90   | 233.5        | 3.33       | 28.0        | 0.73         | FR.BS.0858       |
| 10"          | 254.00          | 250.00   | 268.0        | 2.00       | 28.0        | 0.65         | FR.BS.1000       |
| 10 5/8"      | 273.00          | 266.30   | 286.1        | 3.35       | 28.0        | 0.93         | FR.BS.1058       |
| 12"          | 304.80          | 300.80   | 319.0        | 2.00       | 28.0        | 0.81         | FR.BS.1200       |
| 12 5/8"      | 323.80          | 315.90   | 338.0        | 3.95       | 28.0        | 1.28         | FR.BS.1258       |

The above table shows the full range of BS4825 ferrules as given in the exacting standard. Advanced Couplings can offer non-standard BS4825 ferrule adaptations in varying lengths and internal surface finishes to suit individual customer requirements. Please contact our sales department if the ferrule you require cannot be found in our brochure.

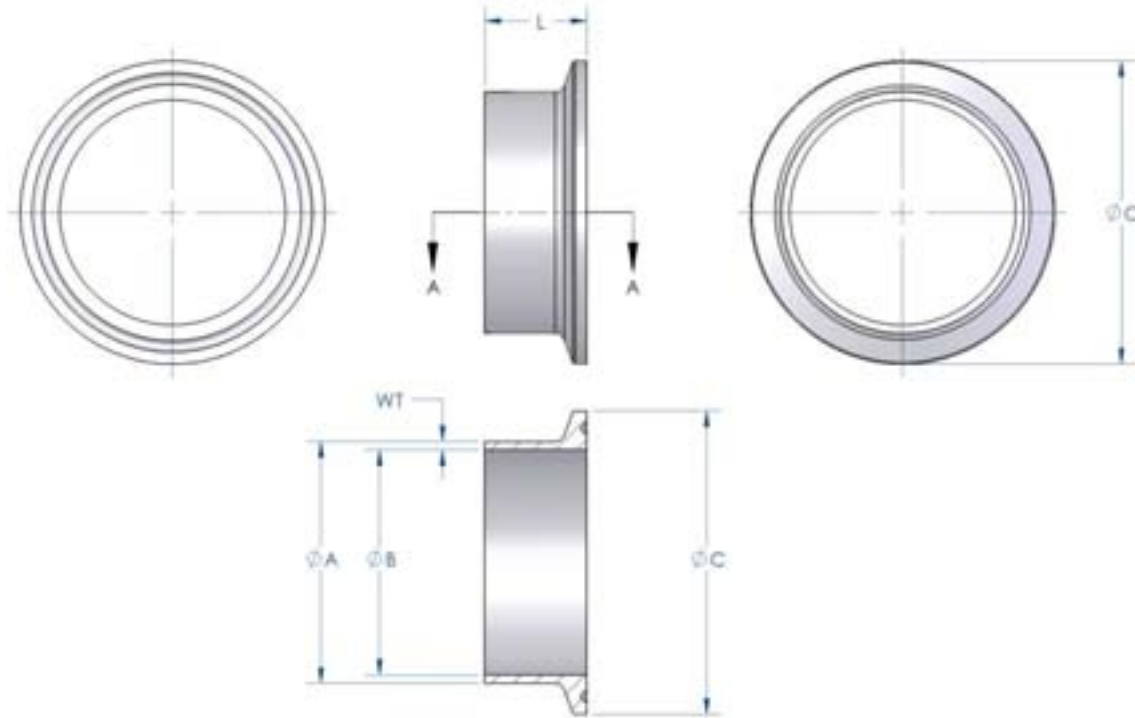
# QUILINOX

Tel.: 902 304 316  
www.quilinox.com

Fax.: 902 876 377  
quilinox@quilinox.com

# PHARMACEUTICAL FERRULES BS SCHEDULE 5

|                       |                           |
|-----------------------|---------------------------|
| <b>Material</b>       | 316L / 1.4404             |
| <b>Surface Finish</b> | 0.8 Ra(µm) / 32 Ra(µin)   |
| <b>Manufactured</b>   | 3.1b Certified- Solid Bar |



## FERRULES - SCHEDULE 5

| Size<br>Inch | Dimensions (mm) |          |              |            |             | Mass<br>(kg) | Ordering<br>Code |
|--------------|-----------------|----------|--------------|------------|-------------|--------------|------------------|
|              | OD<br>ØA        | ID<br>ØB | Flange<br>ØC | Wall<br>WT | Length<br>L |              |                  |
| 1/2"         | 21.34           | 18.04    | 50.5         | 1.65       | 21.5        | 0.06         | FR.BS05.0050     |
| 3/4"         | 26.67           | 23.37    | 50.5         | 1.65       | 21.5        | 0.07         | FR.BS05.0075     |
| 1"           | 33.40           | 30.10    | 50.5         | 1.65       | 21.5        | 0.08         | FR.BS05.0100     |
| 1 1/4"       | 42.16           | 38.86    | 64.0         | 1.65       | 21.5        | 0.08         | FR.BS05.0125     |
| 1 1/2"       | 48.26           | 44.96    | 64.0         | 1.65       | 21.5        | 0.09         | FR.BS05.0150     |
| 2"           | 60.32           | 57.02    | 77.5         | 1.65       | 21.5        | 0.10         | FR.BS05.0200     |
| 2 1/2"       | 73.03           | 68.81    | 91.0         | 2.11       | 21.5        | 0.16         | FR.BS05.0250     |
| 3"           | 88.90           | 84.68    | 106.0        | 2.11       | 21.5        | 0.21         | FR.BS05.0300     |
| 3 1/2"       | 101.60          | 97.38    | 119.0        | 2.11       | 21.5        | 0.21         | FR.BS05.0350     |
| 4"           | 114.30          | 110.08   | 130.0        | 2.11       | 28.0        | 0.25         | FR.BS05.0400     |
| 5"           | 141.30          | 135.76   | 155.0        | 2.77       | 28.0        | 0.43         | FR.BS05.0500     |
| 6"           | 168.28          | 162.74   | 183.0        | 2.77       | 28.0        | 0.56         | FR.BS05.0600     |
| 8"           | 219.08          | 213.54   | 233.5        | 2.77       | 28.0        | 0.73         | FR.BS05.0800     |
| 10"          | 273.05          | 266.25   | 286.1        | 3.40       | 28.0        | 0.93         | FR.BS05.1000     |
| 12"          | 323.85          | 315.93   | 338.0        | 3.96       | 28.0        | 1.28         | FR.BS05.1200     |

The above table shows the full range of BS Sch.5 ferrules as given in the exacting standard. Advanced Couplings can offer non-standard BS Sch.5 ferrule adaptations in varying lengths and internal surface finishes to suit individual customer requirements. Please contact our sales department if the ferrule you require cannot be found in our brochure.

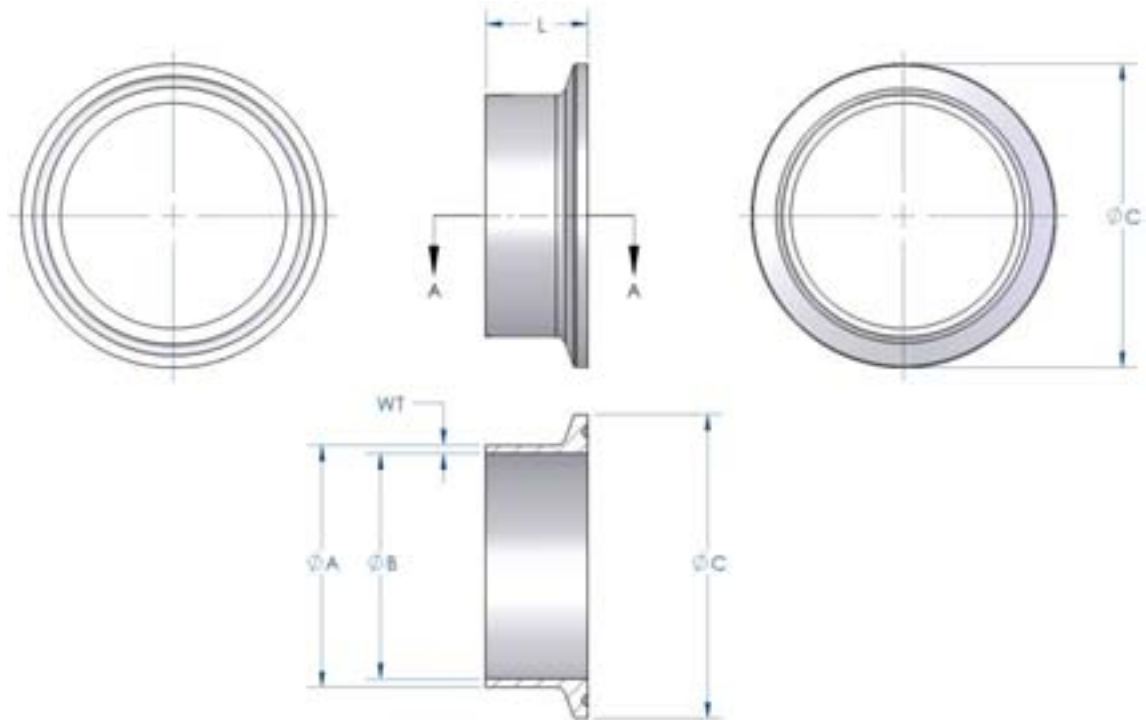
# QUILINOX

Tel.: 902 304 316  
www.quilinox.com

Fax.: 902 876 377  
quilinox@quilinox.com

|                       |                           |
|-----------------------|---------------------------|
| <b>Material</b>       | 316L / 1.4404             |
| <b>Surface Finish</b> | 0.8 Ra(µm) / 32 Ra(µin)   |
| <b>Manufactured</b>   | 3.1b Certified- Solid Bar |

# PHARMACEUTICAL FERRULES BS SCHEDULE 10



| FERRULES - SCHEDULE 10 |                 |          |              |            |             |              |                  |
|------------------------|-----------------|----------|--------------|------------|-------------|--------------|------------------|
| Size<br>Inch           | Dimensions (mm) |          |              |            |             | Mass<br>(kg) | Ordering<br>Code |
|                        | OD<br>ØA        | ID<br>ØB | Flange<br>ØC | Wall<br>WT | Length<br>L |              |                  |
| 1/2"                   | 21.34           | 17.12    | 50.5         | 2.11       | 21.5        | 0.08         | FR.BS10.0050     |
| 3/4"                   | 26.67           | 22.45    | 50.5         | 2.11       | 21.5        | 0.08         | FR.BS10.0075     |
| 1"                     | 33.40           | 27.86    | 50.5         | 2.77       | 21.5        | 0.08         | FR.BS10.0100     |
| 1 1/4"                 | 42.16           | 36.62    | 64.0         | 2.77       | 21.5        | 0.09         | FR.BS10.0125     |
| 1 1/2"                 | 48.26           | 42.72    | 64.0         | 2.77       | 21.5        | 0.11         | FR.BS10.0150     |
| 2"                     | 60.33           | 54.79    | 77.5         | 2.77       | 21.5        | 0.15         | FR.BS10.0200     |
| 2 1/2"                 | 73.03           | 66.93    | 91.0         | 3.05       | 21.5        | 0.18         | FR.BS10.0250     |
| 3"                     | 88.90           | 82.80    | 106.0        | 3.05       | 21.5        | 0.22         | FR.BS10.0300     |
| 3 1/2"                 | 101.60          | 95.50    | 119.0        | 3.05       | 21.5        | 0.28         | FR.BS10.0350     |
| 4"                     | 114.30          | 108.20   | 130.0        | 3.05       | 28.0        | 0.34         | FR.BS10.0400     |
| 5"                     | 141.30          | 134.50   | 155.0        | 3.40       | 28.0        | 0.43         | FR.BS10.0500     |
| 6"                     | 168.28          | 161.47   | 183.0        | 3.41       | 28.0        | 0.61         | FR.BS10.0600     |
| 8"                     | 219.08          | 211.56   | 233.5        | 3.76       | 28.0        | 0.73         | FR.BS10.0800     |
| 10"                    | 273.05          | 264.67   | 286.1        | 4.19       | 28.0        | 0.93         | FR.BS10.1000     |
| 12"                    | 323.85          | 314.71   | 338.0        | 4.57       | 28.0        | 1.28         | FR.BS10.1200     |

The above table shows the full range of BS Sch.10 ferrules as given in the exacting standard. Advanced Couplings can offer non-standard BS Sch.10 ferrule adaptations in varying lengths and internal surface finishes to suit individual customer requirements. Please contact our sales department if the ferrule you require cannot be found in our brochure.

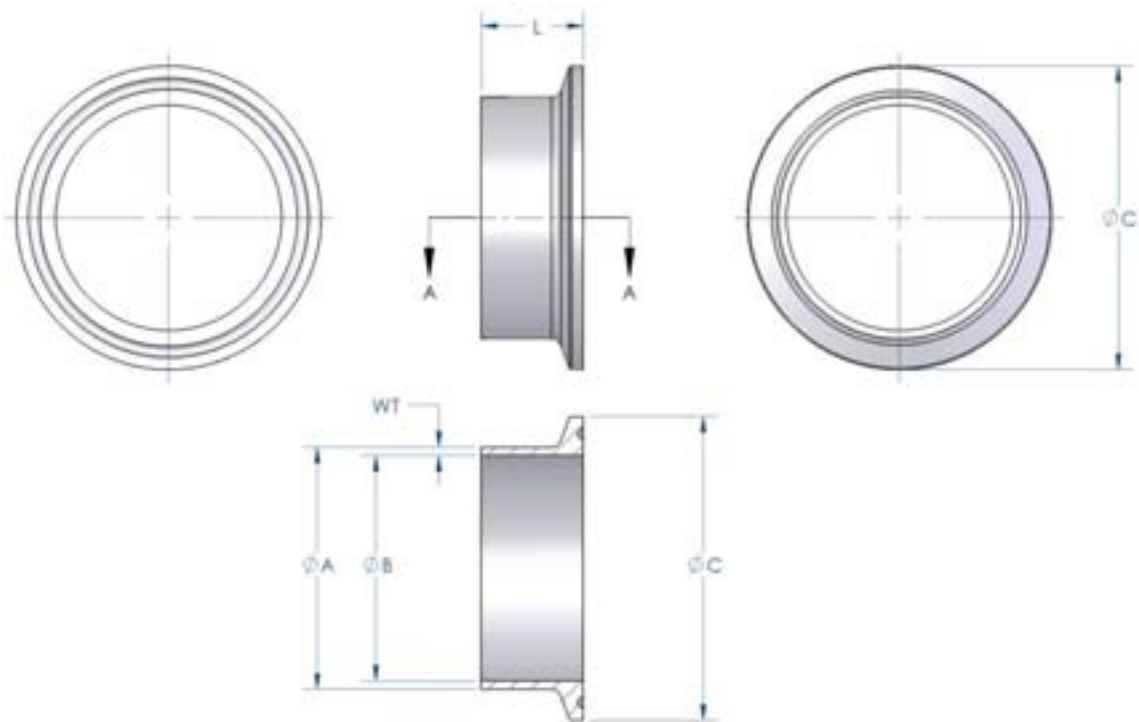
# QUILINOX

Tel.: 902 304 316  
www.quilinox.com

Fax.: 902 876 377  
quilinox@quilinox.com

**PHARMACEUTICAL  
FERRULES  
BS SCHEDULE 40**

|                       |                           |
|-----------------------|---------------------------|
| <b>Material</b>       | 316L / 1.4404             |
| <b>Surface Finish</b> | 0.8 Ra(µm) / 32 Ra(µin)   |
| <b>Manufactured</b>   | 3.1b Certified- Solid Bar |



**FERRULES - SCHEDULE 40**

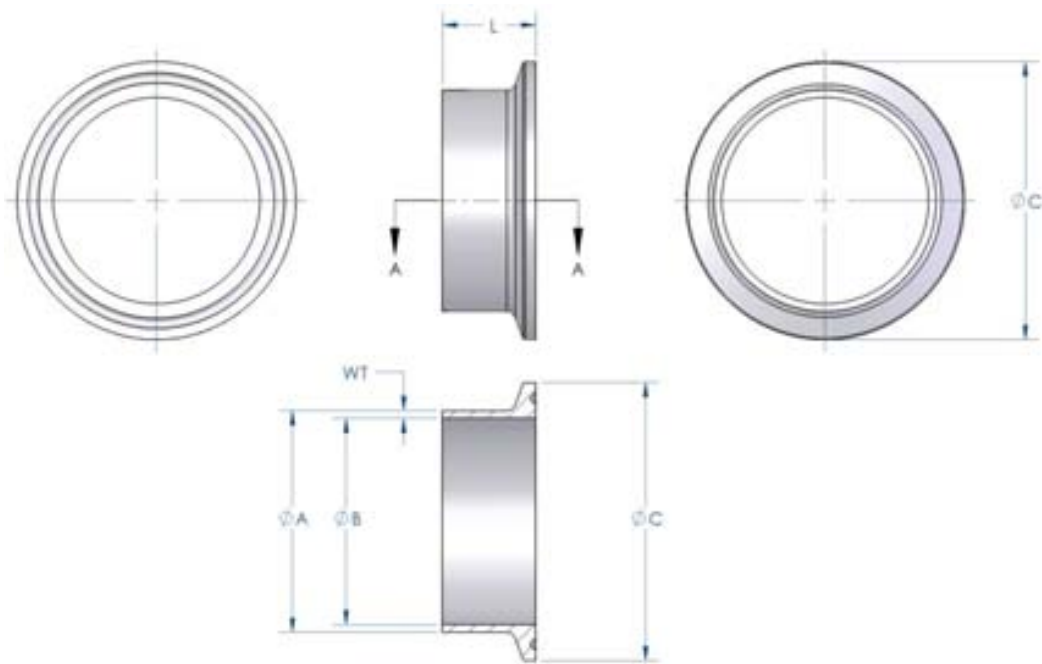
| Size<br>Inch | Dimensions (mm) |          |              |            |             | Mass<br>(kg) | Ordering<br>Code             |
|--------------|-----------------|----------|--------------|------------|-------------|--------------|------------------------------|
|              | OD<br>ØA        | ID<br>ØB | Flange<br>ØC | Wall<br>WT | Length<br>L |              |                              |
| 1/2"         | 21.34           | 15.80    | 50.5         | 2.77       | 21.5        | 0.09         | <a href="#">FR.BS40.0050</a> |
| 3/4"         | 26.67           | 20.93    | 50.5         | 2.87       | 21.5        | 0.09         | <a href="#">FR.BS40.0075</a> |
| 1"           | 33.40           | 26.64    | 50.5         | 3.38       | 21.5        | 0.09         | <a href="#">FR.BS40.0100</a> |
| 1 1/4"       | 42.16           | 35.04    | 64.0         | 3.56       | 21.5        | 0.13         | <a href="#">FR.BS40.0125</a> |
| 1 1/2"       | 48.26           | 40.88    | 64.0         | 3.69       | 21.5        | 0.13         | <a href="#">FR.BS40.0150</a> |
| 2"           | 60.33           | 52.51    | 77.5         | 3.91       | 21.5        | 0.18         | <a href="#">FR.BS40.0200</a> |
| 2 1/2"       | 73.03           | 62.71    | 91.0         | 5.16       | 21.5        | 0.22         | <a href="#">FR.BS40.0250</a> |
| 3"           | 88.90           | 77.92    | 106.0        | 5.49       | 21.5        | 0.26         | <a href="#">FR.BS40.0300</a> |
| 3 1/2"       | 101.60          | 90.12    | 119.0        | 5.74       | 21.5        | 0.34         | <a href="#">FR.BS40.0350</a> |
| 4"           | 114.30          | 102.26   | 130.0        | 6.02       | 28.0        | 0.44         | <a href="#">FR.BS40.0400</a> |
| 5"           | 141.30          | 128.20   | 155.0        | 6.55       | 28.0        | 0.52         | <a href="#">FR.BS40.0500</a> |
| 6"           | 168.28          | 154.06   | 183.0        | 7.11       | 28.0        | 0.63         | <a href="#">FR.BS40.0600</a> |
| 8"           | 219.08          | 202.72   | 233.5        | 8.18       | 28.0        | 0.80         | <a href="#">FR.BS40.0800</a> |
| 10"          | 273.05          | 254.51   | 286.1        | 9.27       | 28.0        | 1.00         | <a href="#">FR.BS40.1000</a> |
| 12"          | 323.85          | 304.79   | 338.0        | 9.53       | 28.0        | 1.35         | <a href="#">FR.BS40.1200</a> |

The above table shows the full range of BS Sch.40 ferrules as given in the exacting standard. Advanced Couplings can offer non-standard BS Sch.40 ferrule adaptations in varying lengths and internal surface finishes to suit individual customer requirements. Please contact our sales department if the ferrule you require cannot be found in our brochure.



|                       |                           |
|-----------------------|---------------------------|
| <b>Material</b>       | 316L / 1.4404             |
| <b>Surface Finish</b> | 0.8 Ra(µm) / 32 Ra(µin)   |
| <b>Manufactured</b>   | 3.1b Certified- Solid Bar |

# PHARMACEUTICAL FERRULES DIN 32676 SERIES 2



## FERRULES - DIN 32676 - SERIES 2

| Nominal Size Metric | Dimensions (mm) |       |           |         |          | Mass (kg) | Ordering Code     |
|---------------------|-----------------|-------|-----------|---------|----------|-----------|-------------------|
|                     | OD ØA           | ID ØB | Flange ØC | Wall WT | Length L |           |                   |
| <b>DIN 10</b>       | 13.0            | 10.0  | 34.0      | 1.50    | 18.0     | 0.03      | <b>FR.DN2.010</b> |
| <b>DIN 15</b>       | 19.0            | 16.0  | 34.0      | 1.50    | 18.0     | 0.03      | <b>FR.DN2.015</b> |
| <b>DIN 20</b>       | 23.0            | 20.0  | 34.0      | 1.50    | 18.0     | 0.03      | <b>FR.DN2.020</b> |
| <b>DIN 25</b>       | 29.0            | 26.0  | 50.5      | 1.50    | 21.5     | 0.07      | <b>FR.DN2.025</b> |
| <b>DIN 32</b>       | 35.0            | 32.0  | 50.5      | 1.50    | 21.5     | 0.06      | <b>FR.DN2.032</b> |
| <b>DIN 40</b>       | 41.0            | 38.0  | 50.5      | 1.50    | 21.5     | 0.05      | <b>FR.DN2.040</b> |
| <b>DIN 50</b>       | 53.0            | 50.0  | 64.0      | 1.50    | 21.5     | 0.07      | <b>FR.DN2.050</b> |
| <b>DIN 65</b>       | 70.0            | 66.0  | 91.0      | 2.00    | 28.0     | 0.19      | <b>FR.DN2.065</b> |
| <b>DIN 80</b>       | 85.0            | 81.0  | 106.0     | 2.00    | 28.0     | 0.23      | <b>FR.DN2.080</b> |
| <b>DIN 100</b>      | 104.0           | 100.0 | 119.0     | 2.00    | 28.0     | 0.22      | <b>FR.DN2.100</b> |
| <b>DIN 125</b>      | 129.0           | 125.0 | 155.0     | 2.00    | 28.0     | 0.53      | <b>FR.DN2.125</b> |
| <b>DIN 150</b>      | 154.0           | 150.0 | 183.0     | 2.00    | 28.0     | 0.76      | <b>FR.DN2.150</b> |
| <b>DIN 200</b>      | 204.0           | 200.0 | 233.5     | 2.00    | 28.0     | 0.93      | <b>FR.DN2.200</b> |

## FERRULES - DIN 32676 - SERIES 2 - NON STANDARD

| Nominal Size Metric | Dimensions (mm) |       |           |         |          | Mass (kg) | Ordering Code     |
|---------------------|-----------------|-------|-----------|---------|----------|-----------|-------------------|
|                     | OD ØA           | ID ØB | Flange ØC | Wall WT | Length L |           |                   |
| <b>DIN 125</b>      | 129.0           | 125.0 | 144.4     | 2.00    | 28.0     | 0.30      | <b>FR.DNX.125</b> |
| <b>DIN 150</b>      | 154.0           | 150.0 | 167.0     | 2.00    | 28.0     | 0.38      | <b>FR.DNX.150</b> |
| <b>DIN 200</b>      | 204.0           | 200.0 | 217.4     | 2.00    | 28.0     | 0.51      | <b>FR.DNX.200</b> |
| <b>DIN 250</b>      | 254.0           | 250.0 | 268.0     | 2.00    | 28.0     | 0.65      | <b>FR.DNX.250</b> |
| <b>DIN 300</b>      | 304.0           | 300.0 | 319.0     | 2.00    | 28.0     | 0.81      | <b>FR.DNX.300</b> |

The above table shows the full range of DIN 32676 S2 ferrules as given in the exacting standard. Advanced Couplings can offer non-standard DIN 32676 S2 ferrule adaptations in varying lengths and internal surface finishes to suit individual customer requirements. Please contact our sales department if the ferrule you require cannot be found in our brochure.

# QUILINOX

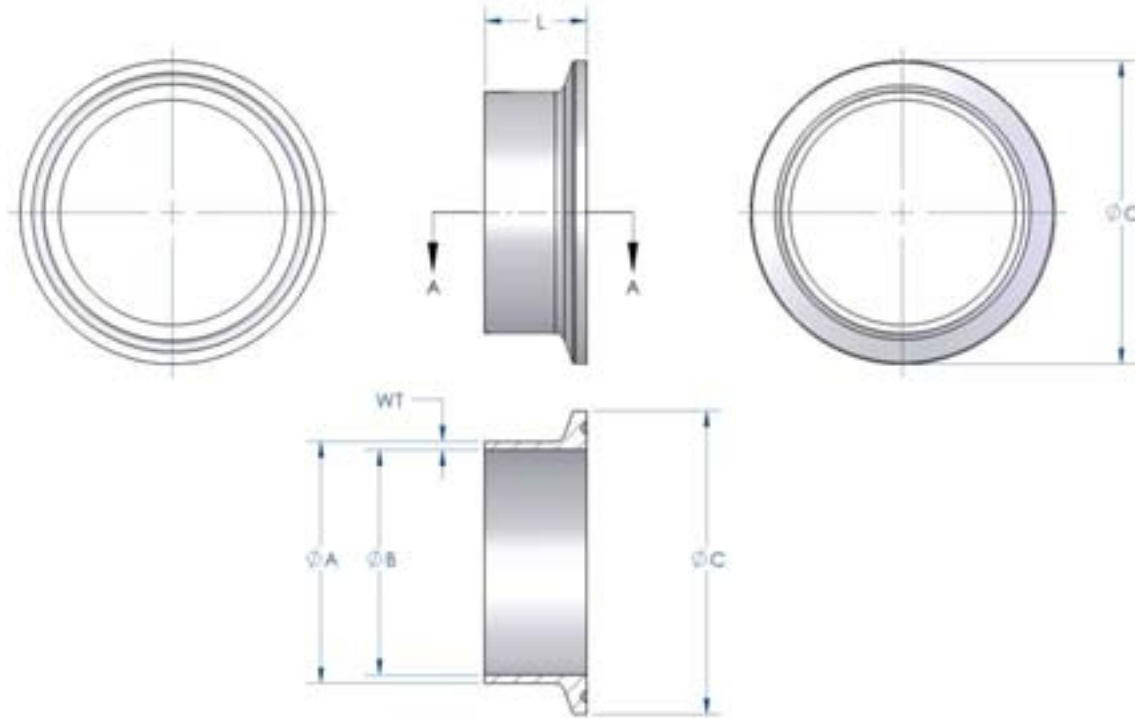
Tel.: 902 304 316  
www.quilinox.com

Fax.: 902 876 377  
quilinox@quilinox.com



# PHARMACEUTICAL FERRULES DIN 32676 SERIES 1 & 3

|                       |                           |
|-----------------------|---------------------------|
| <b>Material</b>       | 316L / 1.4404             |
| <b>Surface Finish</b> | 0.8 Ra(µm) / 32 Ra(µin)   |
| <b>Manufactured</b>   | 3.1b Certified- Solid Bar |



## FERRULES - DIN 32676 - SERIES 1

| Nominal Size Metric | Dimensions (mm) |       |           |         |          | Mass (kg) | Ordering Code     |
|---------------------|-----------------|-------|-----------|---------|----------|-----------|-------------------|
|                     | OD ØA           | ID ØB | Flange ØC | Wall WT | Length L |           |                   |
| <b>DIN 10</b>       | 12.0            | 10.0  | 34.0      | 1.00    | 18.0     | 0.03      | <b>FR.DN1.010</b> |
| <b>DIN 15</b>       | 18.0            | 16.0  | 34.0      | 1.00    | 18.0     | 0.03      | <b>FR.DN1.015</b> |
| <b>DIN 20</b>       | 22.0            | 20.0  | 34.0      | 1.00    | 18.0     | 0.02      | <b>FR.DN1.020</b> |
| <b>DIN 25</b>       | 28.0            | 26.0  | 50.5      | 1.00    | 21.5     | 0.06      | <b>FR.DN1.025</b> |
| <b>DIN 32</b>       | 34.0            | 32.0  | 50.5      | 1.00    | 21.5     | 0.05      | <b>FR.DN1.032</b> |
| <b>DIN 40</b>       | 40.0            | 38.0  | 50.5      | 1.00    | 21.5     | 0.04      | <b>FR.DN1.040</b> |
| <b>DIN 50</b>       | 52.0            | 50.0  | 64.0      | 1.00    | 21.5     | 0.06      | <b>FR.DN1.050</b> |

## FERRULES - DIN 32676 - SERIES 3

| Nominal Size Metric | Dimensions (mm) |       |           |         |          | Mass (kg) | Ordering Code     |
|---------------------|-----------------|-------|-----------|---------|----------|-----------|-------------------|
|                     | OD ØA           | ID ØB | Flange ØC | Wall WT | Length L |           |                   |
| <b>DIN 10</b>       | 14.0            | 10.0  | 34.0      | 2.00    | 18.0     | 0.04      | <b>FR.DN3.010</b> |
| <b>DIN 15</b>       | 20.0            | 16.0  | 34.0      | 2.00    | 18.0     | 0.03      | <b>FR.DN3.015</b> |
| <b>DIN 20</b>       | 24.0            | 20.0  | 34.0      | 2.00    | 18.0     | 0.03      | <b>FR.DN3.020</b> |
| <b>DIN 25</b>       | 30.0            | 26.0  | 50.5      | 2.00    | 21.5     | 0.07      | <b>FR.DN3.025</b> |
| <b>DIN 32</b>       | 36.0            | 32.0  | 50.5      | 2.00    | 21.5     | 0.07      | <b>FR.DN3.032</b> |
| <b>DIN 40</b>       | 42.0            | 38.0  | 50.5      | 2.00    | 21.5     | 0.06      | <b>FR.DN3.040</b> |
| <b>DIN 50</b>       | 54.0            | 50.0  | 64.0      | 2.00    | 21.5     | 0.08      | <b>FR.DN3.050</b> |

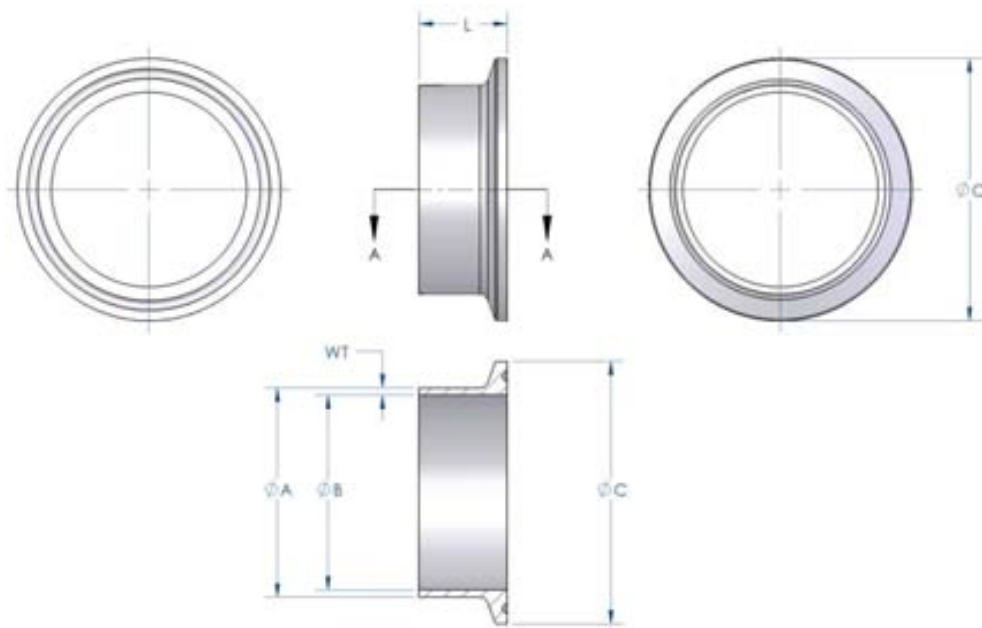
The above table shows the full range of DIN 32676 S1 & S3 ferrules as given in the exacting standard. Advanced Couplings can offer non-standard DIN 32676 S1 & S3 ferrule adaptations in varying lengths and internal surface finishes to suit individual customer requirements. Please contact our sales department if the ferrule you require cannot be found in our brochure.

# QUILINOX

Tel.: 902 304 316  
www.quilinox.com

Fax.: 902 876 377  
quilinox@quilinox.com

|                       |                           |
|-----------------------|---------------------------|
| <b>Material</b>       | 316L / 1.4404             |
| <b>Surface Finish</b> | 0.8 Ra(µm) / 32 Ra(µin)   |
| <b>Manufactured</b>   | 3.1b Certified- Solid Bar |



**FERRULES - ISO 1127 SERIES 1**

| Nominal Size<br>ISO (DN) | Dimensions (mm) |          |              |            |             | Mass (kg) | Ordering Code |
|--------------------------|-----------------|----------|--------------|------------|-------------|-----------|---------------|
|                          | OD<br>ØA        | ID<br>ØB | Flange<br>ØC | Wall<br>WT | Length<br>L |           |               |
| 8                        | 13.5            | 10.3     | 25.4         | 1.60       | 21.5        | 0.02      | FR.IS1.D008   |
| 10                       | 17.2            | 14.0     | 25.4         | 1.60       | 21.5        | 0.02      | FR.IS1.D010   |
| 15                       | 21.3            | 18.1     | 50.5         | 1.60       | 21.5        | 0.08      | FR.IS1.D015   |
| 20                       | 26.9            | 22.9     | 50.5         | 2.00       | 21.5        | 0.08      | FR.IS1.D020   |
| 25                       | 33.7            | 29.7     | 50.5         | 2.00       | 21.5        | 0.07      | FR.IS1.D025   |
| 32                       | 42.4            | 38.4     | 64.0         | 2.00       | 21.5        | 0.11      | FR.IS1.D032   |
| 40                       | 48.3            | 44.3     | 64.0         | 2.00       | 21.5        | 0.09      | FR.IS1.D040   |
| 50                       | 60.3            | 56.3     | 77.5         | 2.00       | 21.5        | 0.12      | FR.IS1.D050   |
| 65                       | 76.1            | 72.1     | 91.0         | 2.00       | 21.5        | 0.14      | FR.IS1.D065   |
| 80                       | 88.9            | 84.9     | 106.0        | 2.00       | 21.5        | 0.18      | FR.IS1.D080   |
| 100                      | 114.3           | 110.3    | 130.0        | 2.00       | 28.0        | 0.25      | FR.IS1.D100   |
| 125                      | 139.7           | 135.7    | 155.0        | 2.00       | 28.0        | 0.37      | FR.IS1.D125   |
| 150                      | 168.3           | 163.1    | 183.0        | 2.60       | 28.0        | 0.51      | FR.IS1.D150   |
| 200                      | 219.1           | 213.9    | 233.5        | 2.60       | 28.0        | 0.66      | FR.IS1.D200   |
| 250                      | 273.0           | 267.8    | 286.1        | 2.60       | 28.0        | 0.93      | FR.IS1.D250   |
| 300                      | 323.9           | 318.7    | 338.5        | 2.60       | 28.0        | 1.28      | FR.IS1.D300   |

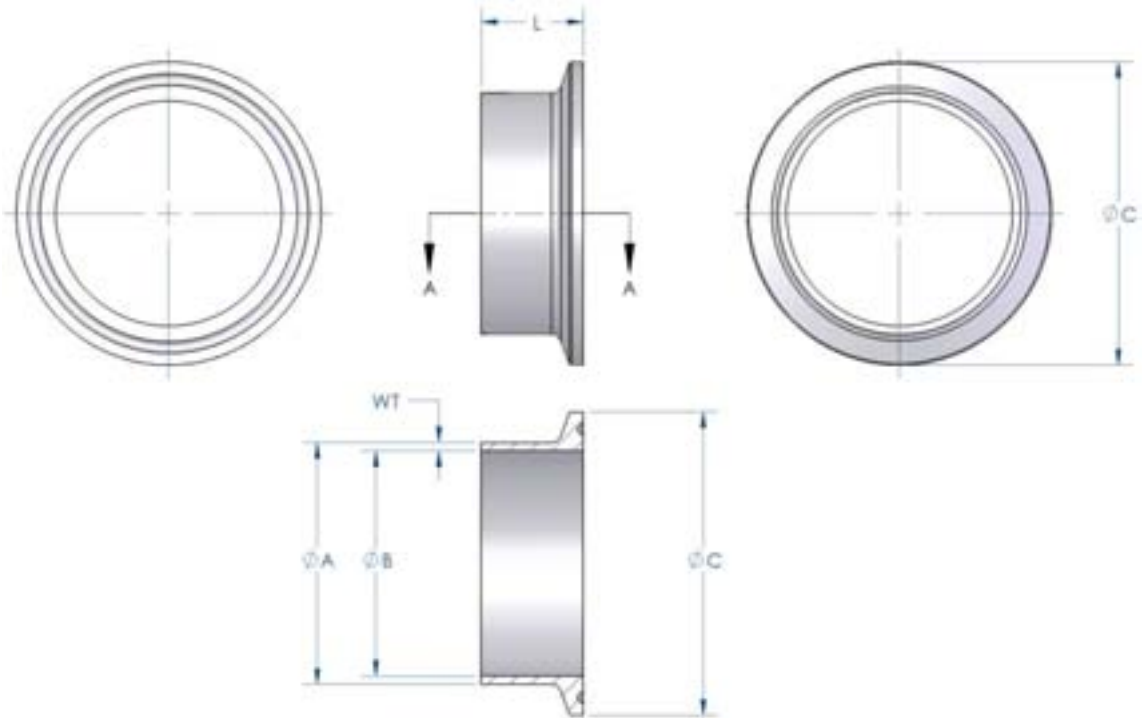
**FERRULES - ISO 1127 VARIATIONS**

| Nominal Size<br>ISO (DN) | Dimensions (mm) |          |              |            |             | Mass (kg) | Ordering Code  |
|--------------------------|-----------------|----------|--------------|------------|-------------|-----------|----------------|
|                          | OD<br>ØA        | ID<br>ØB | Flange<br>ØC | Wall<br>WT | Length<br>L |           |                |
| 8                        | 13.5            | 10.3     | 34.0         | 1.60       | 18.0        | 0.03      | FR.IS1X.D008.A |
| 8                        | 13.5            | 10.3     | 50.5         | 1.60       | 21.5        | 0.04      | FR.IS1X.D008.B |
| 10                       | 17.2            | 14.0     | 34.0         | 1.60       | 18.0        | 0.03      | FR.IS1X.D010.A |
| 10                       | 17.2            | 14.0     | 50.5         | 1.60       | 21.5        | 0.04      | FR.IS1X.D010.B |
| 15                       | 21.3            | 18.1     | 34.0         | 1.60       | 18.0        | 0.03      | FR.IS1X.D015.A |
| 20                       | 26.9            | 23.7     | 50.5         | 1.60       | 21.5        | 0.07      | FR.IS1X.D020.A |
| 25                       | 33.7            | 30.5     | 50.5         | 1.60       | 21.5        | 0.07      | FR.IS1X.D025.A |
| 25                       | 33.7            | 31.3     | 50.5         | 1.20       | 21.5        | 0.05      | FR.IS1X.D025.B |
| 65                       | 76.1            | 72.9     | 91.0         | 1.60       | 21.5        | 0.12      | FR.IS1X.D065.A |



# PHARMACEUTICAL FERRULES ISO 2037

|                       |                           |
|-----------------------|---------------------------|
| <b>Material</b>       | 316L / 1.4404             |
| <b>Surface Finish</b> | 0.8 Ra(µm) / 32 Ra(µin)   |
| <b>Manufactured</b>   | 3.1b Certified- Solid Bar |



## FERRULES - ISO 2037 SERIES 1

| Nominal Size<br>Metric (Imperial) | Dimensions (mm) |          |              |            |             | Mass (kg) | Ordering Code       |
|-----------------------------------|-----------------|----------|--------------|------------|-------------|-----------|---------------------|
|                                   | OD<br>ØA        | ID<br>ØB | Flange<br>ØC | Wall<br>WT | Length<br>L |           |                     |
| <b>20.0 (0.75")</b>               | 20.00           | 17.60    | 50.5         | 1.20       | 21.5        | 0.03      | <b>FR.IS21.M020</b> |
| <b>25.0 (1.0")</b>                | 25.00           | 22.60    | 50.5         | 1.20       | 21.5        | 0.07      | <b>FR.IS21.M025</b> |
| <b>38.0 (1.5")</b>                | 38.00           | 35.60    | 50.5         | 1.20       | 21.5        | 0.05      | <b>FR.IS21.M038</b> |
| <b>40.0 (1.5")</b>                | 40.00           | 37.60    | 50.5         | 1.20       | 21.5        | 0.05      | <b>FR.IS21.M048</b> |
| <b>51.0 (2.0")</b>                | 51.00           | 48.60    | 64.0         | 1.20       | 21.5        | 0.06      | <b>FR.IS21.M051</b> |

## FERRULES - ISO 2037 SERIES 2

| Nominal Size<br>Metric (Imperial) | Dimensions (mm) |          |              |            |             | Mass (kg) | Ordering Code       |
|-----------------------------------|-----------------|----------|--------------|------------|-------------|-----------|---------------------|
|                                   | OD<br>ØA        | ID<br>ØB | Flange<br>ØC | Wall<br>WT | Length<br>L |           |                     |
| <b>25.0 (1.0")</b>                | 25.00           | 21.80    | 50.5         | 1.60       | 21.5        | 0.07      | <b>FR.IS22.M025</b> |
| <b>38.0 (1.5")</b>                | 38.00           | 34.80    | 50.5         | 1.60       | 21.5        | 0.05      | <b>FR.IS22.M038</b> |
| <b>40.0 (1.5")</b>                | 40.00           | 36.80    | 50.5         | 1.60       | 21.5        | 0.05      | <b>FR.IS22.M040</b> |
| <b>51.0 (2.0")</b>                | 51.00           | 47.80    | 64.0         | 1.60       | 21.5        | 0.08      | <b>FR.IS22.M051</b> |
| <b>63.5 (2.5")</b>                | 63.50           | 60.30    | 77.5         | 1.60       | 21.5        | 0.10      | <b>FR.IS22.M063</b> |
| <b>70.0 (3.0")</b>                | 70.00           | 66.80    | 91.0         | 1.60       | 21.5        | 0.15      | <b>FR.IS22.M070</b> |
| <b>101.6 (4.0")</b>               | 101.60          | 97.60    | 119.0        | 2.00       | 21.5        | 0.21      | <b>FR.IS22.M101</b> |

ISO 2037 is the standard for stainless steel tube for the food industry. ISO 2037 is now being offered in place of ISO 2852 ferrule sizes, as it matches the tube size to which the ferrules are connected. For ISO 2852 sizes please refer to SMS 3017 tables.

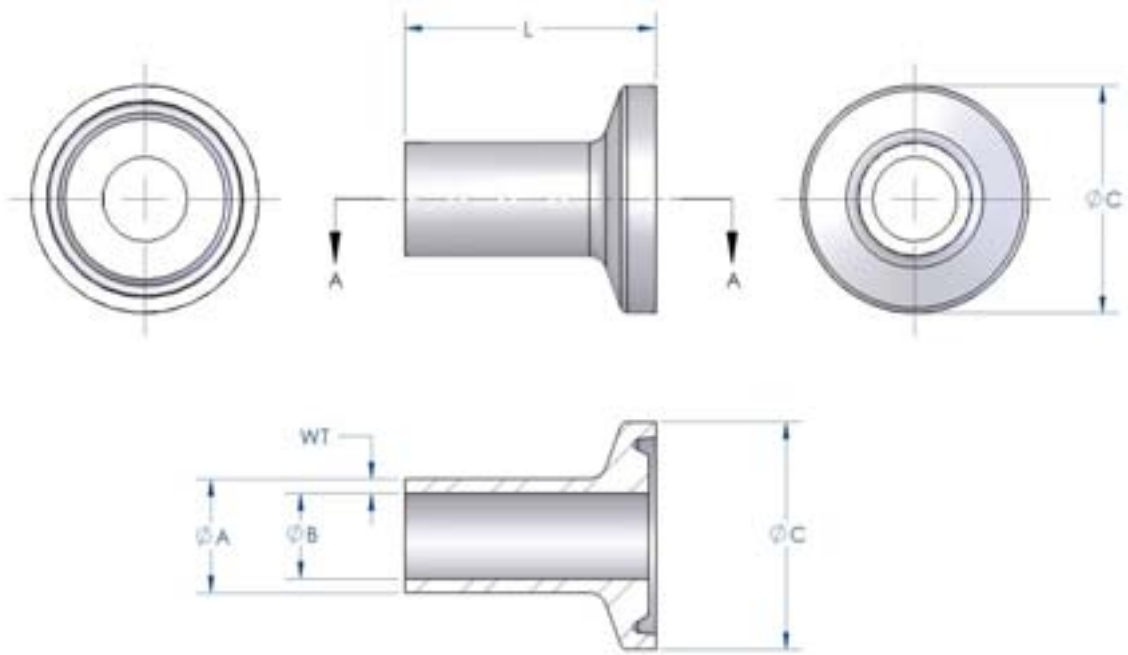
# QUILINOX

Tel.: 902 304 316  
www.quilinox.com

Fax.: 902 876 377  
quilinox@quilinox.com

|                       |                           |
|-----------------------|---------------------------|
| <b>Material</b>       | 316L / 1.4404             |
| <b>Surface Finish</b> | 0.6 Ra(µm) / 24 Ra(µin)   |
| <b>Manufactured</b>   | 3.1b Certified- Solid Bar |

# PHARMACEUTICAL FERRULES MINI SERIES - ULTRA BORE



| FERRULES - MINI-SERIES METRIC |                 |       |           |         |          |           |               |
|-------------------------------|-----------------|-------|-----------|---------|----------|-----------|---------------|
| Nominal Size Metric           | Dimensions (mm) |       |           |         |          | Mass (kg) | Ordering Code |
|                               | OD ØA           | ID ØB | Flange ØC | Wall WT | Length L |           |               |
| 6 x 4                         | 6.0             | 4.0   | 25.4      | 1.00    | 21.5     | 0.02      | FR.MS.0604    |
| 8 x 6                         | 8.0             | 6.0   | 25.4      | 1.00    | 21.5     | 0.02      | FR.MS.0806    |
| 10 x 8                        | 10.0            | 8.0   | 25.4      | 1.00    | 21.5     | 0.02      | FR.MS.1008    |
| 12 x 10                       | 12.0            | 10.0  | 25.4      | 1.00    | 21.5     | 0.02      | FR.MS.1210    |
| 14 x 12                       | 14.0            | 12.0  | 25.4      | 1.00    | 21.5     | 0.02      | FR.MS.1412    |
| 16 x 14                       | 16.0            | 14.0  | 25.4      | 1.00    | 21.5     | 0.02      | FR.MS.1614    |
| 18 x 16                       | 18.0            | 16.0  | 25.4      | 1.00    | 21.5     | 0.02      | FR.MS.1816    |

| FERRULES - MINI-SERIES IMPERIAL |                 |       |           |         |          |           |               |
|---------------------------------|-----------------|-------|-----------|---------|----------|-----------|---------------|
| Nominal Size Imperial           | Dimensions (mm) |       |           |         |          | Mass (kg) | Ordering Code |
|                                 | OD ØA           | ID ØB | Flange ØC | Wall WT | Length L |           |               |
| 1/4"                            | 6.35            | 4.57  | 25.4      | 0.89    | 21.5     | 0.02      | FR.MSI.025    |
| 3/8"                            | 9.53            | 7.71  | 25.4      | 0.91    | 21.5     | 0.02      | FR.MSI.038    |
| 1/2"                            | 12.70           | 9.52  | 25.4      | 1.59    | 21.5     | 0.02      | FR.MSI.050    |
| 3/4"                            | 19.05           | 15.87 | 25.4      | 1.59    | 21.5     | 0.02      | FR.MSI.075    |

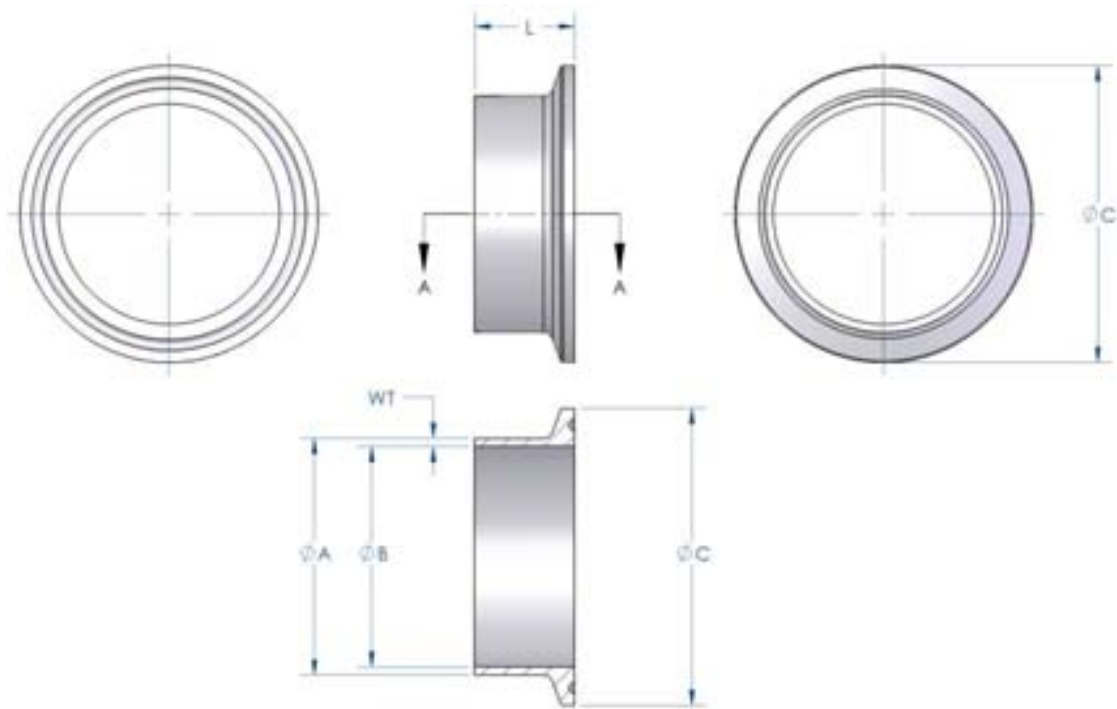
# QUILINOX

Tel.: 902 304 316  
www.quilinox.com

Fax.: 902 876 377  
quilinox@quilinox.com

**PHARMACEUTICAL  
FERRULES  
SMS 3008 / 3017**

|                       |                           |
|-----------------------|---------------------------|
| <b>Material</b>       | 316L / 1.4404             |
| <b>Surface Finish</b> | 0.8 Ra(µm) / 32 Ra(µin)   |
| <b>Manufactured</b>   | 3.1b Certified- Solid Bar |



**FERRULES - SMS 3008**

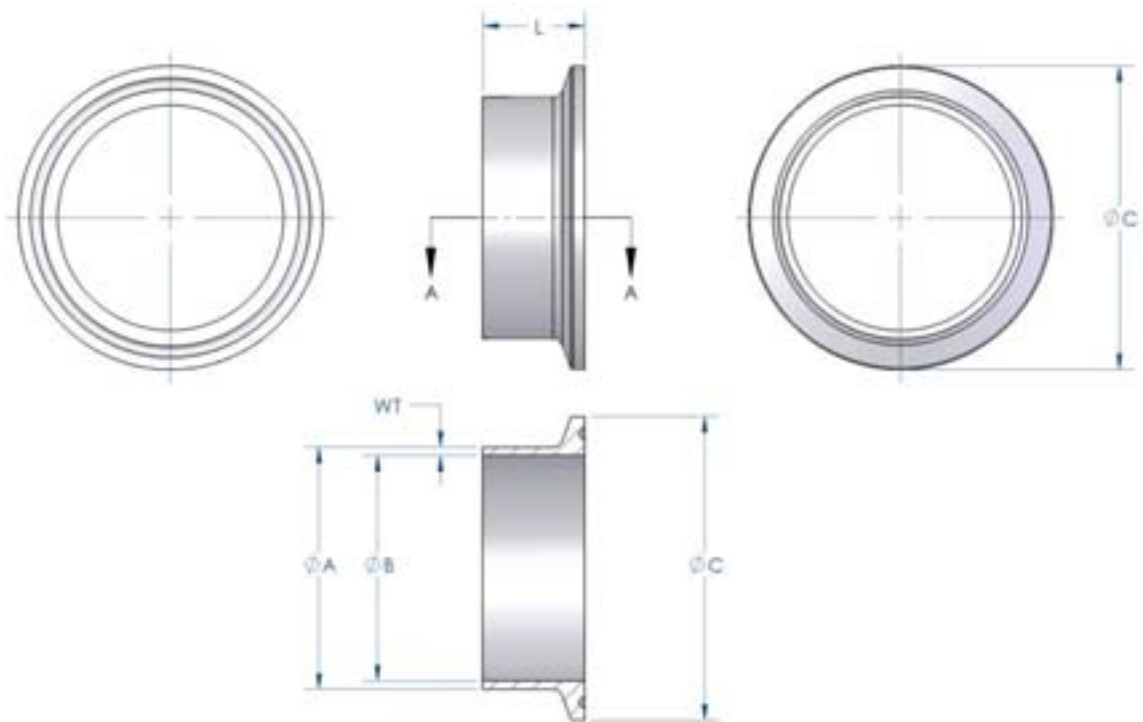
| Size<br>Metric (Imperial) | Dimensions (mm) |          |              |            |             | Mass<br>(kg) | Ordering<br>Code   |
|---------------------------|-----------------|----------|--------------|------------|-------------|--------------|--------------------|
|                           | OD<br>ØA        | ID<br>ØB | Flange<br>ØC | Wall<br>WT | Length<br>L |              |                    |
| <b>18.0 (.75")</b>        | 18.0            | 16.0     | 25.4         | 1.00       | 21.5        | 0.02         | <b>FR.SM8.0075</b> |
| <b>25.0 (1.0")</b>        | 25.0            | 22.6     | 50.5         | 1.20       | 21.5        | 0.07         | <b>FR.SM8.0100</b> |
| <b>38.0 (1.5")</b>        | 38.0            | 35.6     | 50.5         | 1.20       | 21.5        | 0.05         | <b>FR.SM8.0150</b> |
| <b>51.0 (2.0")</b>        | 51.0            | 48.6     | 64.0         | 1.20       | 21.5        | 0.06         | <b>FR.SM8.0200</b> |
| <b>63.5 (2.5")</b>        | 63.5            | 60.3     | 77.5         | 1.60       | 21.5        | 0.10         | <b>FR.SM8.0250</b> |
| <b>76.1 (3.0")</b>        | 76.1            | 72.9     | 91.0         | 1.60       | 21.5        | 0.12         | <b>FR.SM8.0300</b> |
| <b>89.0 (3.5")</b>        | 89.0            | 85.0     | 106.0        | 2.00       | 21.5        | 0.21         | <b>FR.SM8.0350</b> |
| <b>101.6 (4.0")</b>       | 101.6           | 97.6     | 119.0        | 2.00       | 21.5        | 0.21         | <b>FR.SM8.0400</b> |

**FERRULES - SMS 3017**

| Size<br>Metric (Imperial) | Dimensions (mm) |          |              |            |             | Mass<br>(kg) | Ordering<br>Code   |
|---------------------------|-----------------|----------|--------------|------------|-------------|--------------|--------------------|
|                           | OD<br>ØA        | ID<br>ØB | Flange<br>ØC | Wall<br>WT | Length<br>L |              |                    |
| <b>25.0 (1.0")</b>        | 25.6            | 22.6     | 50.5         | 1.50       | 21.5        | 0.08         | <b>FR.SM7.0100</b> |
| <b>33.7 (1.25")</b>       | 33.7            | 30.7     | 50.5         | 1.50       | 21.5        | 0.05         | <b>FR.SM7.0125</b> |
| <b>38.0 (1.5")</b>        | 38.6            | 35.6     | 50.5         | 1.50       | 21.5        | 0.05         | <b>FR.SM7.0150</b> |
| <b>51.0 (2.0")</b>        | 51.6            | 48.6     | 64.0         | 1.50       | 21.5        | 0.08         | <b>FR.SM7.0200</b> |
| <b>63.5 (2.5")</b>        | 64.1            | 60.3     | 77.5         | 1.90       | 21.5        | 0.10         | <b>FR.SM7.0250</b> |
| <b>76.1 (3.0")</b>        | 76.7            | 72.9     | 91.0         | 1.90       | 21.5        | 0.13         | <b>FR.SM7.0300</b> |
| <b>88.9 (3.5")</b>        | 89.8            | 84.9     | 106.0        | 2.45       | 21.5        | 0.18         | <b>FR.SM7.0350</b> |
| <b>101.6 (4.0")</b>       | 102.5           | 97.6     | 119.0        | 2.45       | 21.5        | 0.21         | <b>FR.SM7.0400</b> |



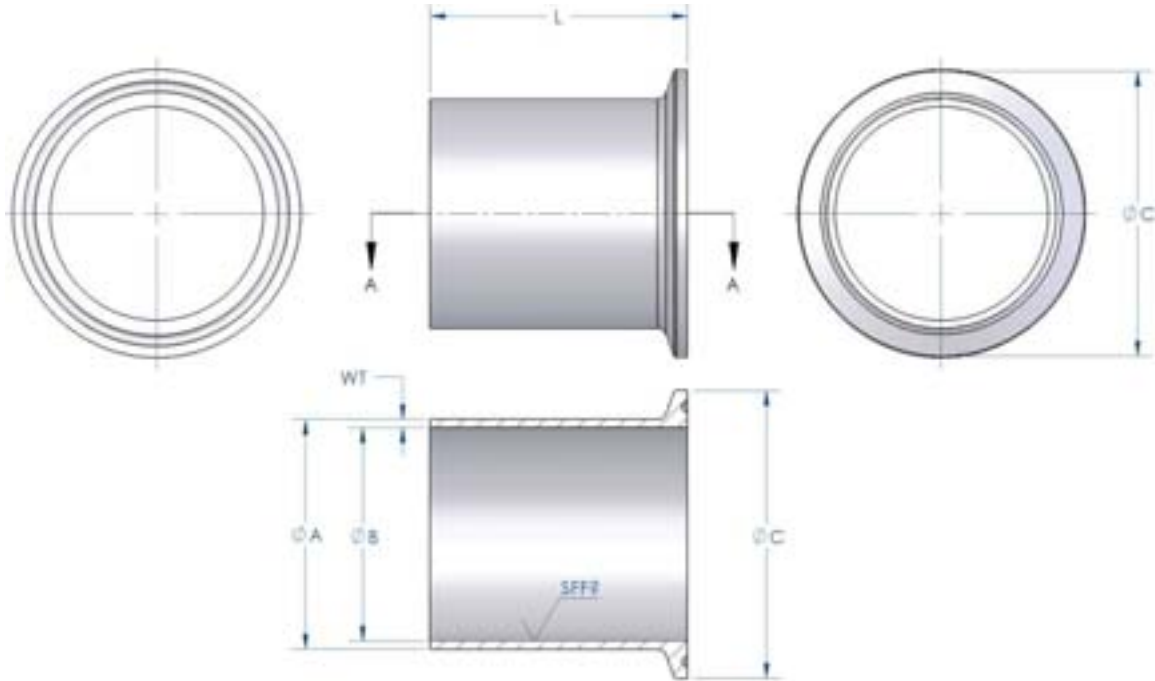
|                       |                           |
|-----------------------|---------------------------|
| <b>Material</b>       | 316L / 1.4404             |
| <b>Surface Finish</b> | 0.8 Ra(µm) / 32 Ra(µin)   |
| <b>Manufactured</b>   | 3.1b Certified- Solid Bar |



| <b>FERRULES - SWG</b>     |                 |          |              |            |             |              |                   |
|---------------------------|-----------------|----------|--------------|------------|-------------|--------------|-------------------|
| Size<br>Metric (Imperial) | Dimensions (mm) |          |              |            |             | Mass<br>(kg) | Ordering<br>Code  |
|                           | OD<br>ØA        | ID<br>ØB | Flange<br>ØC | Wall<br>WT | Length<br>L |              |                   |
| <b>25.4 (1.0")</b>        | 25.4            | 22.1     | 50.5         | 1.65       | 21.5        | 0.07         | <b>FR.SW.0100</b> |
| <b>38.1 (1.5")</b>        | 38.1            | 34.8     | 50.5         | 1.65       | 21.5        | 0.06         | <b>FR.SW.0150</b> |
| <b>51.0 (2.0")</b>        | 50.8            | 47.5     | 64.0         | 1.65       | 21.5        | 0.08         | <b>FR.SW.0200</b> |
| <b>63.5 (2.5")</b>        | 63.5            | 60.2     | 77.5         | 1.65       | 21.5        | 0.10         | <b>FR.SW.0250</b> |
| <b>76.1 (3.0")</b>        | 76.2            | 72.9     | 91.0         | 1.65       | 21.5        | 0.13         | <b>FR.SW.0300</b> |
| <b>101.6 (4.0")</b>       | 101.6           | 97.4     | 119.0        | 2.10       | 21.5        | 0.21         | <b>FR.SW.0400</b> |

# PHARMACEUTICAL FERRULES ASME BPE

|                       |                              |
|-----------------------|------------------------------|
| <b>Material</b>       | 316L Low Sulphur / 1.4435 LS |
| <b>Surface Finish</b> | SFF1 - SFF6                  |
| <b>Manufactured</b>   | 3.1b Certified- Solid Bar    |



## FERRULES - ASME BPE-2004

| Nominal<br>Imperial | Dimensions (mm) |          |              |            |            |      | Mass<br>(kg) | Ordering<br>Code<br>Short Version | Ordering<br>Code<br>Long Version |
|---------------------|-----------------|----------|--------------|------------|------------|------|--------------|-----------------------------------|----------------------------------|
|                     | OD<br>ØA        | ID<br>ØB | Flange<br>ØC | Wall<br>WT | Length 'L' |      |              |                                   |                                  |
|                     |                 |          |              |            | Short      | Long |              |                                   |                                  |
| 1/4"                | 6.35            | 4.57     | 25.4         | 0.89       | 28.5       | 44.5 | 0.02         | FR.BPE.0025.S                     | FR.BPE.0025.L                    |
| 3/8"                | 9.52            | 7.74     | 25.4         | 0.89       | 28.5       | 44.5 | 0.02         | FR.BPE.0038.S                     | FR.BPE.0038.L                    |
| 1/2"                | 12.70           | 9.40     | 25.4         | 1.65       | 28.5       | 44.5 | 0.02         | FR.BPE.0050.S                     | FR.BPE.0050.L                    |
| 3/4"                | 19.05           | 15.75    | 25.4         | 1.65       | 28.5       | 44.5 | 0.02         | FR.BPE.0075.S                     | FR.BPE.0075.L                    |
| 1"                  | 25.40           | 22.10    | 50.5         | 1.65       | 28.5       | 44.5 | 0.08         | FR.BPE.0100.S                     | FR.BPE.0100.L                    |
| 1 1/2"              | 38.10           | 34.80    | 50.5         | 1.65       | 28.5       | 44.5 | 0.08         | FR.BPE.0150.S                     | FR.BPE.0150.L                    |
| 2"                  | 50.80           | 47.50    | 64.0         | 1.65       | 28.5       | 57.2 | 0.14         | FR.BPE.0200.S                     | FR.BPE.0200.L                    |
| 2 1/2"              | 63.50           | 60.20    | 77.5         | 1.65       | 28.5       | 57.2 | 0.21         | FR.BPE.0250.S                     | FR.BPE.0250.L                    |
| 3"                  | 76.20           | 72.90    | 91.0         | 1.65       | 28.5       | 57.2 | 0.28         | FR.BPE.0300.S                     | FR.BPE.0300.L                    |
| 4"                  | 101.60          | 97.38    | 119.0        | 2.11       | 28.5       | 57.2 | 0.42         | FR.BPE.0400.S                     | FR.BPE.0400.L                    |
| 6"                  | 152.40          | 146.86   | 167.0        | 2.77       | 28.5       | 76.2 | 0.88         | FR.BPE.0600.S                     | FR.BPE.0600.L                    |

### Internal Surface Finish

| Surface<br>Finish Ra | Ordering<br>Code |
|----------------------|------------------|
| 0.50                 | .SF1             |
| 0.63                 | .SF2             |
| 0.75                 | .SF3             |
| 0.38 E/Pol           | .SF4             |
| 0.50 E/Pol           | .SF5             |
| 0.63 E/Pol           | .SF6             |

### Ordering Code Example

1" BPE Short Fer 0.63Ra - **FR.BPE.S.0100.SF2**

BPE Ferrules are available in either short or long versions.  
Please indicate your preferred length when ordering, using the codes shown above.

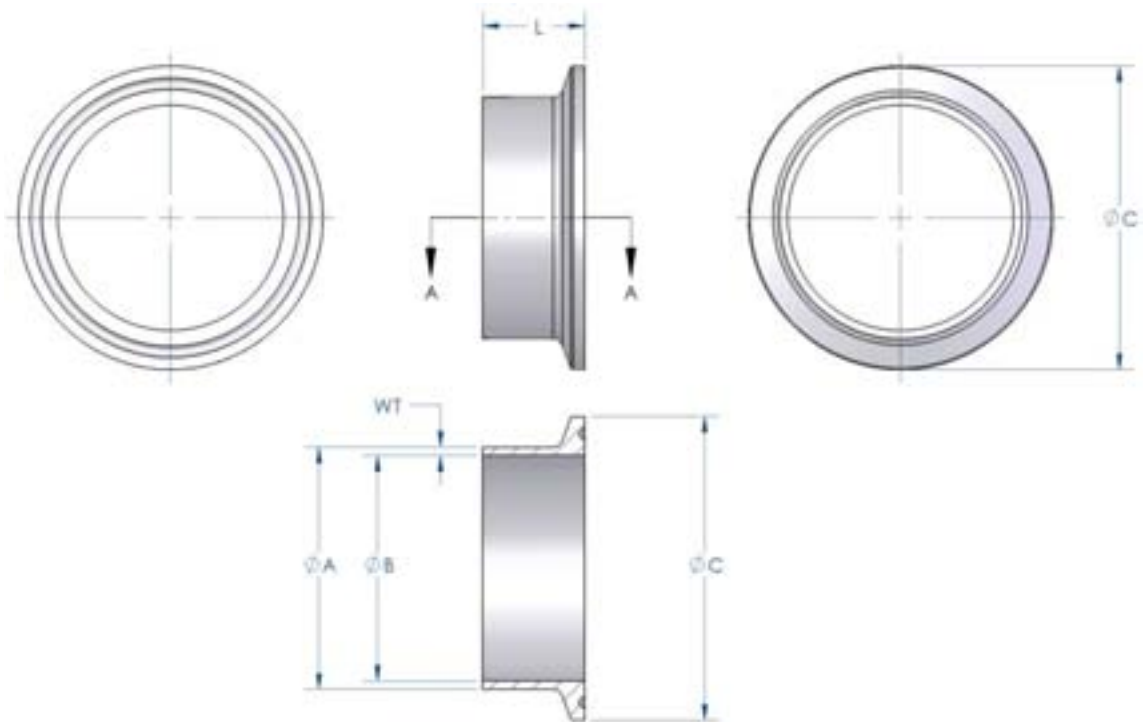
# QUILINOX

Tel.: 902 304 316  
www.quilinox.com

Fax.: 902 876 377  
quilinox@quilinox.com

|                       |                           |
|-----------------------|---------------------------|
| <b>Material</b>       | 316L / 1.4404             |
| <b>Surface Finish</b> | 0.8 Ra(µm) / 32 Ra(µin)   |
| <b>Manufactured</b>   | 3.1b Certified- Solid Bar |

# PHARMACEUTICAL FERRULES 14 MPW TANK



| FERRULES - 14 MPW TANK |                 |          |              |            |             |                  |
|------------------------|-----------------|----------|--------------|------------|-------------|------------------|
| Size<br>Inch           | Dimensions (mm) |          |              |            |             | Ordering<br>Code |
|                        | OD<br>ØA        | ID<br>ØB | Flange<br>ØC | Wall<br>WT | Length<br>L |                  |
| 1"                     | 29.46           | 22.10    | 50.5         | 3.68       | 41.3        | FR.MPW.0100      |
| 1 1/2"                 | 42.57           | 34.80    | 50.5         | 3.89       | 41.3        | FR.MPW.0150      |
| 2"                     | 55.68           | 47.50    | 64.0         | 4.09       | 44.5        | FR.MPW.0200      |
| 2 1/2"                 | 68.78           | 60.20    | 63.5         | 4.29       | 44.5        | FR.MPW.0250      |
| 3"                     | 81.89           | 72.90    | 91.0         | 4.50       | 46.0        | FR.MPW.0300      |
| 4"                     | 108.10          | 97.38    | 119.0        | 5.36       | 54.0        | FR.MPW.0400      |
| 6"                     | 157.28          | 146.25   | 167.0        | 5.52       | 63.5        | FR.MPW.0600      |
| 8"                     | 208.08          | 197.05   | 217.4        | 5.52       | 63.5        | FR.MPW.0800      |

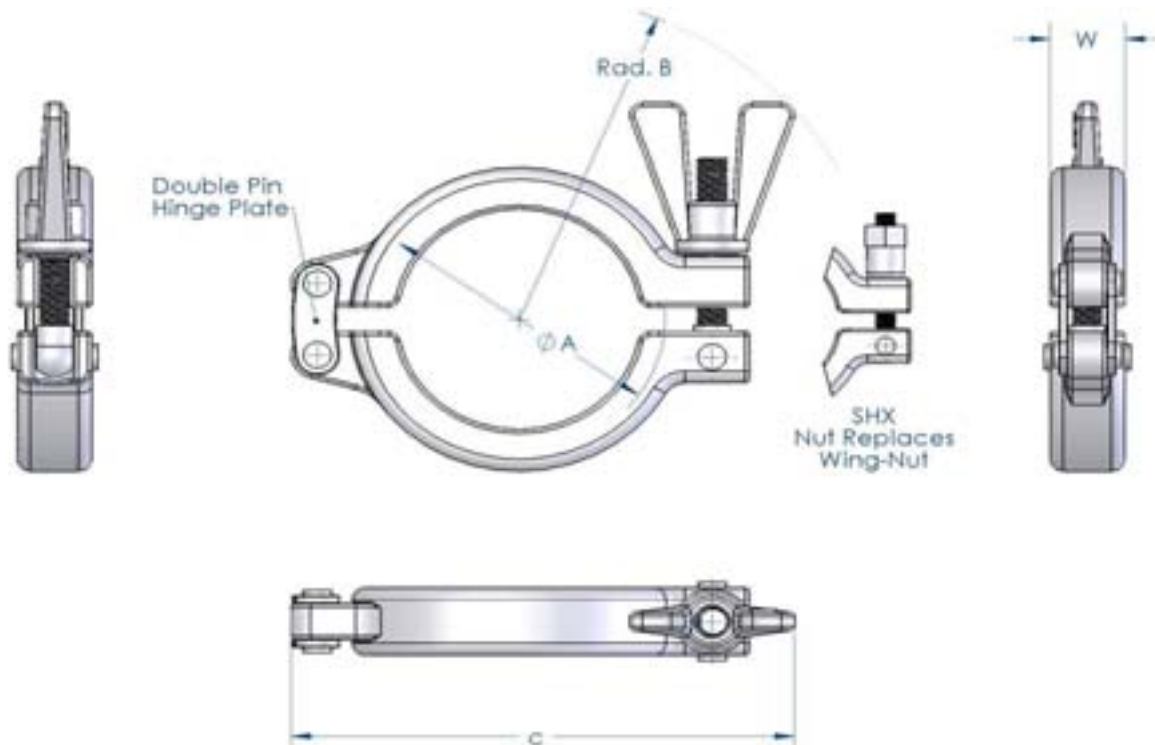
The above table shows the full range of 14 MPW tank ferrules as given in the exacting standard. Advanced Couplings can offer non-standard 14 MPW tank ferrule adaptations in varying lengths and internal surface finishes to suit individual customer requirements. Please contact our sales department if the ferrule you require cannot be found in our brochure.





|                      |                          |
|----------------------|--------------------------|
| <b>Material</b>      | 316 / 1.4401             |
| <b>Application</b>   | Normal / Heavy Duty      |
| <b>Hinge Lay-Out</b> | Double Rivet Hinge Plate |

## PHARMACEUTICAL CLAMPS SH-TYPE - SINGLE BOLT



### SH TYPE CLAMP - SINGLE BOLT

| Nominal<br>Clamp<br>Size | Dimension (mm) |           |             |            | Mass<br>(Kg) | Ordering<br>Codes<br>SH | Ordering<br>Codes<br>SHX |
|--------------------------|----------------|-----------|-------------|------------|--------------|-------------------------|--------------------------|
|                          | Flange<br>ØA   | Rad.<br>B | Length<br>C | Width<br>W |              |                         |                          |
| 1/2"-3/4"                | 25.4           | 63.0      | 75.0        | 17.0       | 0.15         | CL.SH.0050              | CL.SHX.0050              |
| 1"-1 1/2"                | 50.5           | 77.0      | 102.0       | 17.0       | 0.25         | CL.SH.0100              | CL.SHX.0100              |
| 2"                       | 64.0           | 93.0      | 123.0       | 17.0       | 0.33         | CL.SH.0200              | CL.SHX.0200              |
| 2 1/2"                   | 77.5           | 100.0     | 140.0       | 17.0       | 0.38         | CL.SH.0250              | CL.SHX.0250              |
| 3"                       | 91.0           | 105.0     | 150.0       | 17.0       | 0.44         | CL.SH.0300              | CL.SHX.0300              |
| 3 1/2"                   | 106.0          | 110.0     | 165.0       | 17.0       | 0.44         | CL.SH.0350              | CL.SHX.0350              |
| 4"                       | 119.0          | 119.0     | 185.0       | 17.0       | 0.57         | CL.SH.0400              | CL.SHX.0400              |
| 4 1/2"                   | 130.0          | 119.0     | 191.0       | 17.0       | 0.60         | CL.SH.0450              | CL.SHX.0450              |
| 5"                       | 144.0          | 131.0     | 215.0       | 19.0       | 0.75         | CL.SH.0500              | CL.SHX.0500              |
| 5 1/2"                   | 155.0          | 155.0     | 252.0       | 24.0       | 1.39         | CL.SH.0550              | CL.SHX.0550              |
| 6"                       | 167.0          | 156.0     | 262.0       | 24.0       | 1.38         | CL.SH.0600              | CL.SHX.0600              |
| 6 5/8"                   | 183.0          | 164.0     | 280.0       | 24.0       | 1.61         | CL.SH.0658              | CL.SHX.0658              |
| 8"                       | 217.0          | 184.0     | 325.0       | 24.0       | 2.11         | CL.SH.0800              | CL.SHX.0800              |
| 8 5/8"                   | 233.0          | 185.0     | 333.0       | 24.0       | 2.25         | CL.SH.0858              | CL.SHX.0858              |